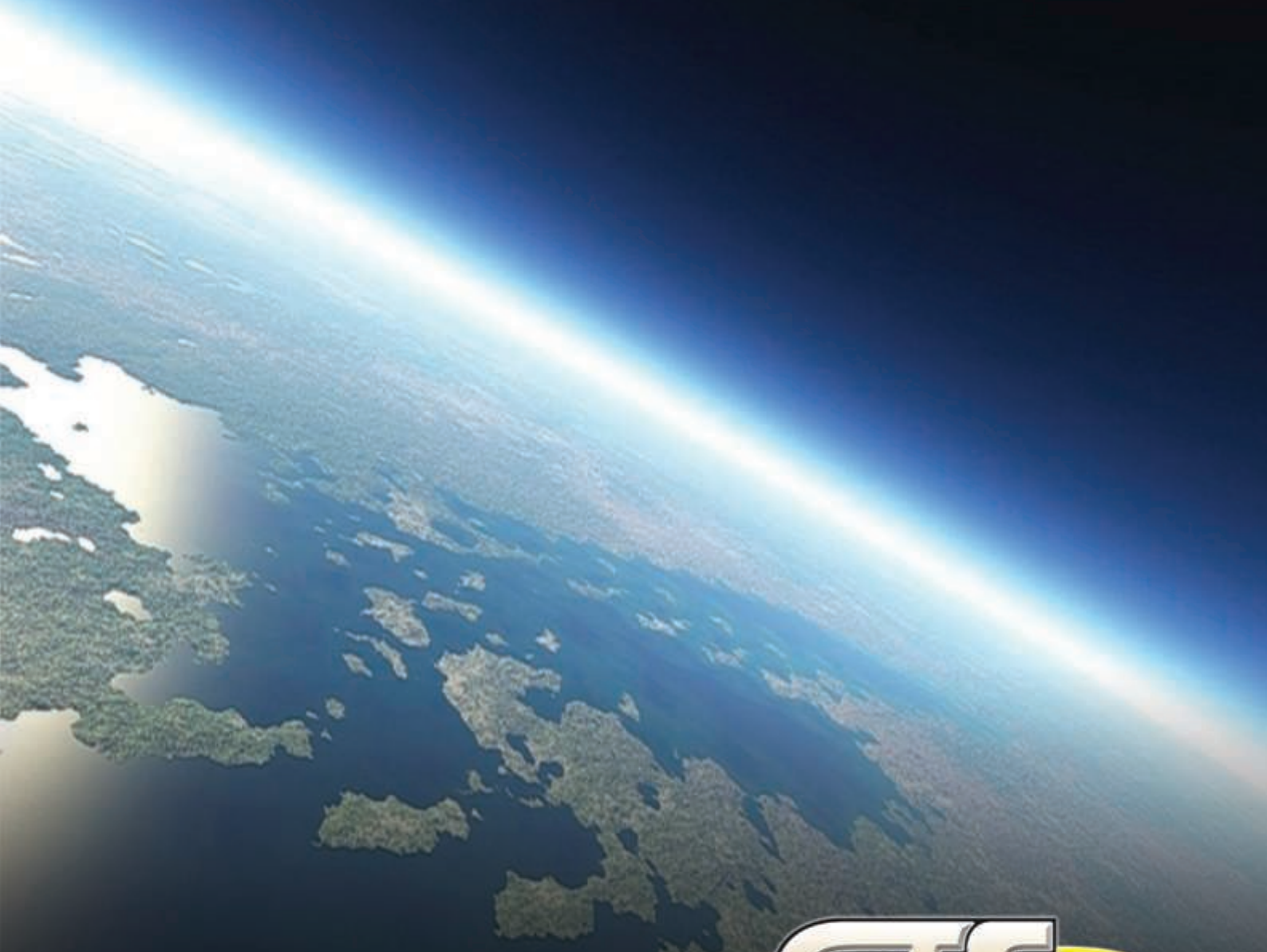




 **ITSUMI**



SHIRT FINISHING SYSTEMS



ITSUMI 400 SERIES

Itsumi 400 series has the capacity to produce up to 400 shirts daily with one operator



BT-50



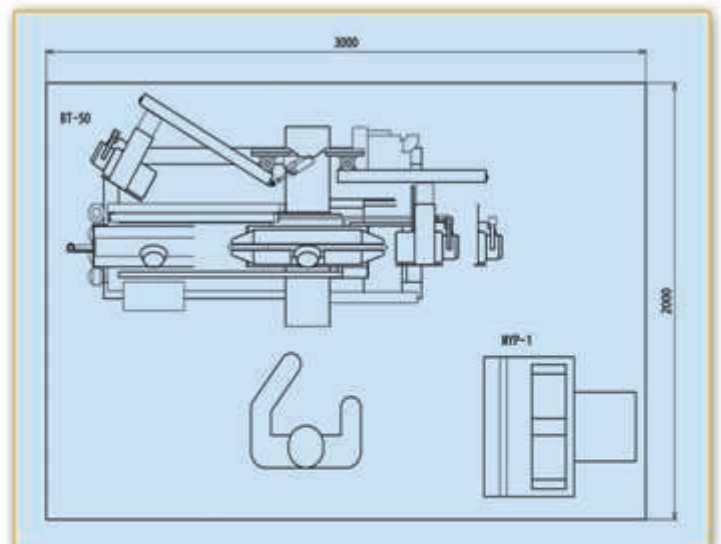
MYP-1

The newly designed BT-50 single body will simultaneously press the shirt body, long & short sleeves with ease and minimal effort for the operator.

Equipped with multy layers of radiating coil,built in vacuum & blower for faster drying & superb quality finish with minimal touch up.

Combined with our MYP-1 you will have the most economical single operator shirt finishing system the industry offer.

Ideal for dry cleaning plant or hotel with a daily production up to 400 shirts.





ITSUMI 600 SERIES

Itsumi 600 series has the capacity to produce up to 600 shirts daily with one or two operators

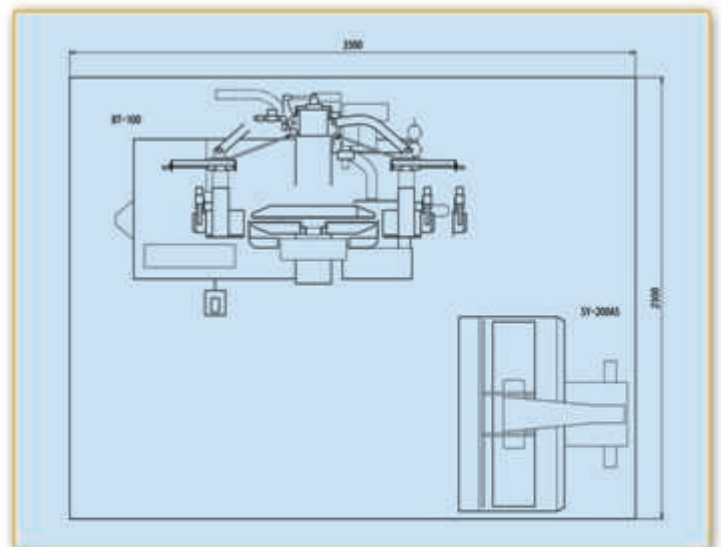


Our BT-100 single body will simultaneously press the shirt body, long & short sleeves with ease and minimal effort for the operator.

Equipped with multy layers of radiating coil, built in vacuum & turbo blower for faster drying & superb quality finish with minimal touch up.

Combined with our SY-200AS double collars & cuffs you will have the fastest single or dual operator shirt finishing system the industry offer's.

Ideal for a daily production up to 600 shirts.





ITSUMI 800 SERIES

Itsumi 800 series has the capacity to produce up to 800 shirts daily with two operators



BT-500

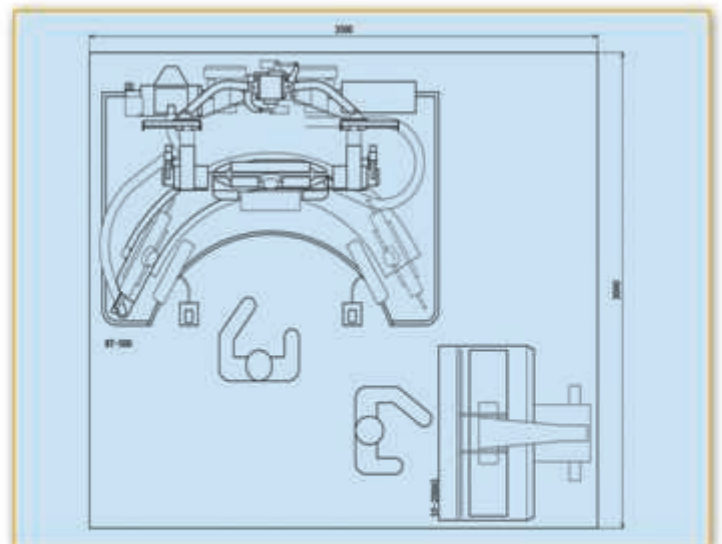


SY-200AS

Itsumi 800 series

*Designed for high production demand this 2 piece shirt finishing system **BT-500** double buck and **SY-200AS** double collar & cuff can be used by one or two operators. It is producing the same quantity of shirts as two Single Bucks for a total daily production reaching up to **800 shirts**.*

Itsumi parts can be used on all models.





ITSUMI 1200 SERIES

ItsuMi 1200 series has the capacity to produce up to 1200 shirts daily with two or three operators



DB-500



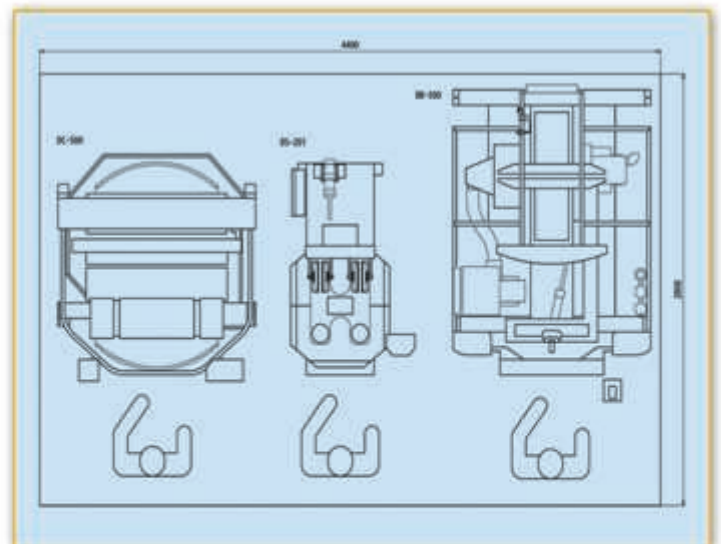
DC-500



DS-201

ItsuMi 1200 series

*Designed for high production demand this 3 piece system combination **DB-500** Rotary double buck ,**DC-500** Rotary collar & cuff with **DS-201** double sleever can be used by two or tree operator. It is design for a total daily production reaching **1200 shirts** in a very small foot print, It will give you an unmatch finish quality and years of trouble-free performance.*





ITSUMI

Our Mission

As the dry cleaning and laundry industry landscape is forever evolving, the demand for high quality and production speed rises to new levels, we constantly strive to achieve innovation in equipment design.

It is this vision that drives our commitment to push the boundaries of design and technology and to deliver the best next generation solutions. At GTS we harness our insight, dedication and expertise to challenge the boundaries of engineering.

GTS mission is to provide our customers with high quality products, as well as the most professional and prompt service in the dry cleaning and laundry industry. GTS network of distributors must meet strict stringent guidelines to become eligible to sell the best.



GTS Shirt Systems
Euro Headquarters
Zwaagdijk, Netherland

Specifications



Model BT-60-J
Voltage 400V / 3 + N + T 50Hz
Consumption 2,05Kw
Steam 5.7 Bar 40 Kg/H
Air 5.8 Bar 45 Ltr/Cycle
Dimension (MM) 2080W x 1060D x 1550H
Weight (KG) 620Kg
Capacity 40-70 Per Hour



Model MYF1
Voltage 230V / 1 + N + T 50Hz
Consumption 30 Watt
Steam 5.7 Bar 15 Kg/H
Air 5.8 Bar 28 Ltr/Cycle
Dimension (MM) 840W x 1050D x 1118H
Weight (KG) 160Kg
Capacity 60-80 Per Hour



Model BT-100
Voltage 400V / 3 + N + T 50Hz
Consumption 2,55Kw
Steam 5.7 Bar 45 Kg/H
Air 5.8 Bar 45 Ltr/Cycle
Dimension (MM) 2130W x 1170D x 630H
Weight (KG) 630Kg
Capacity 60-80 Per Hour



Model SY300AS-J
Voltage 230V / 1 + N + T 50Hz
Consumption 30 Watt
Steam 5.7 Bar 20 Kg/H
Air 5.8 Bar 25 Ltr/Cycle
Dimension (MM) 1130W x 1040D x 1187H
Weight (KG) 320Kg
Capacity 80-120 Per Hour



Model BT-600-J
Voltage 400V / 3 + N + T 50Hz
Consumption 3,35Kw
Steam 5.7 Bar 80 Kg/H
Air 5.8 Bar 45 Ltr/Cycle
Dimension (MM) 2300W x 1680D x 1550H
Weight (KG) 900Kg
Capacity 100-140 Per Hour



Model DP-500-J
Voltage 400V / 3 + N + T 50Hz
Consumption 2Kw
Steam 5.7 Bar 40 Kg/H
Air 5.8 Bar 35 Ltr/Cycle
Dimension (MM) 1380W x 1680D x 1715H
Weight (KG) 350Kg
Capacity 150-180 Per Hour



Model DS-201
Voltage 400V / 3 + N + T 50Hz
Consumption 0,45Kw
Steam 5.7 Bar 15 Kg/H
Air 5.8 Bar 18 Ltr/Cycle
Dimension (MM) 700W x 1370D x 1680H
Weight (KG) 380Kg
Capacity 150-180 Per Hour



Model DC-800A
Voltage 230V / 1 + N + T 50Hz
Consumption 100 Watt
Steam 5.7 Bar 30 Kg/H
Air 5.8 Bar 67 Ltr/Cycle
Dimension (MM) 1410W x 1550D x 1200H
Weight (KG) 800Kg
Capacity 170-200 Per Hour

Contact us

GTS Shirt Finishing Systems
Tomatenmarkt 38, 1681 PH
Zwaagdijk, The Netherlands.
Ph: +31(0)615021474
Fax: +31(0)228566384
E-mail: info@gts-shirtsystem.com
Web: www.gts-shirtsystem.com

